

RUPES®

RUPES

RUPES

RUPES

RUPES



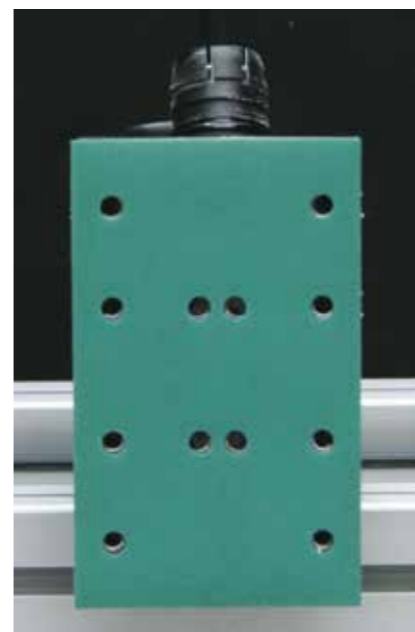
**“NEW RUPES
MINI ORBITAL SANDERS
EFFICIENCY IN
ONE HAND”**

RUPES now offers a complete and revolutionary solution for the perfect sanding of wood, composite, plaster and all painted surfaces such as furniture, doors and windows, plaster, drywall and many others.

Maximum quality, reliability and comfort, the new RUPES sanders are your ideal partner for every applications.



LE 71T - LE 71TE - LE 71TC MINI ORBITAL SANDERS



With completely revised mechanics and an enhanced motor system that increases stability and durability, it reduces and keeps down vibrations during usage.

The self extraction system makes it possible to use the tool without an external extraction unit using the **GREEN TECH** filter unit, included with the tool.

The new double row ball bearing increases machine stability, improves efficiency and performances.

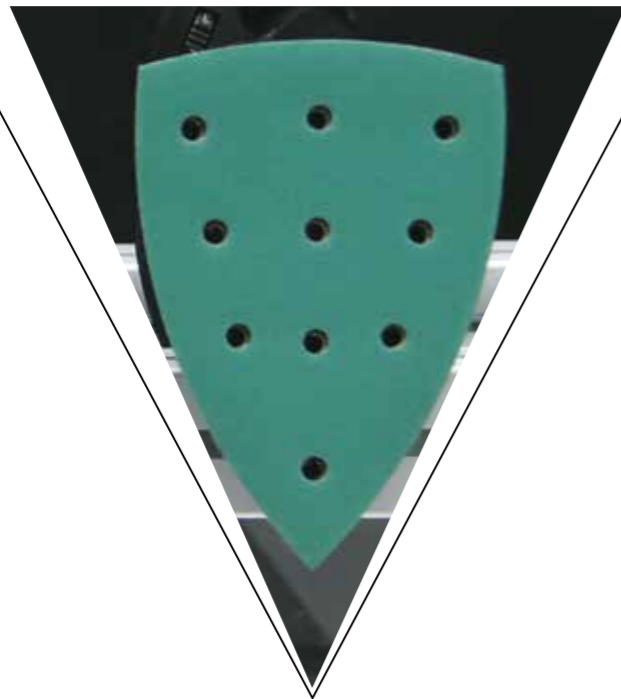
The innovative backing pad holder in composite material is considerably lighter than the previous aluminium one and safer on every kind of surfaces



LS 71T - LS 71TE **MINI ORBITAL SANDERS**

With the ergonomic rubber cup and the covered aluminium flange set the tool has optimised grip and a more modern and improved appearance.

The self generated dust extraction system increases performance and extraction due to the lateral perforated additional holes. It's possible to use the tool without an external extraction unit using the **GREEN TECH** filter unit that is included with the tool.







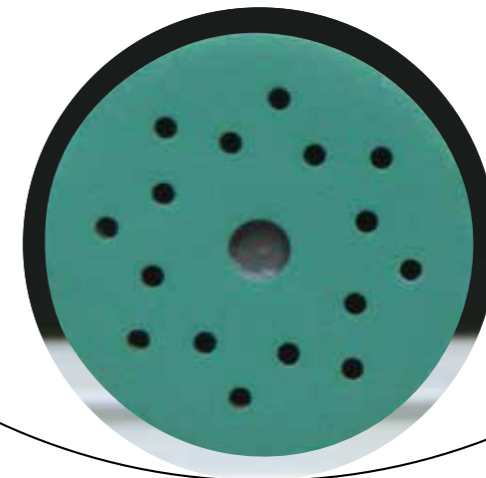
LR 71T - LR 71TE

MINI RANDOM ORBITAL SANDERS

The random orbital movement provides a more energy efficient solution, increased performance, a finer finish and time saving, compared to traditional sanders.

LR introduces a brand new sanding approach, where unique design and technology guarantee a professional result together with the greatest user comfort possible.

Equipped with the multihole backing pad for maximum vacuum efficiency, the new LR Series is the perfect solution for every sanding operations.





LC 71T MINI ORBITAL SANDERS

A tool specifically designed for sanding hard to reach surfaces, such as wooden blinds, grilles, slats and similar. Its thin base plate is suitable for use with velcro backed abrasives.

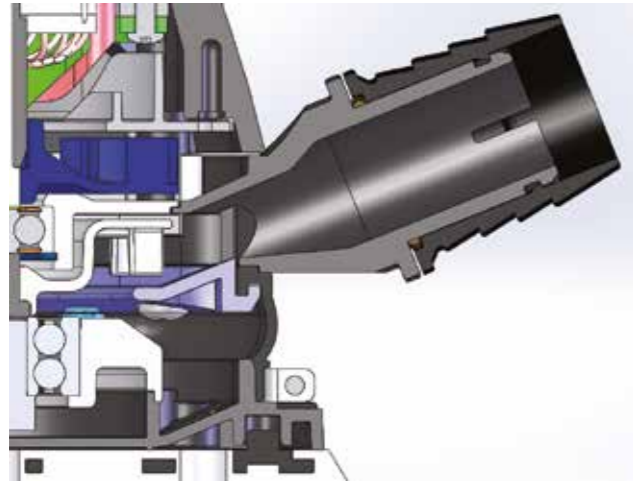
Thanks to the orbit and speed of the sander, excellent results in the treatment of any surface are guaranteed, both on the bench in production processes and on site on doors, windows, furniture and banisters

The special backing pad is designed to guarantee dust extraction even on the front end working area.

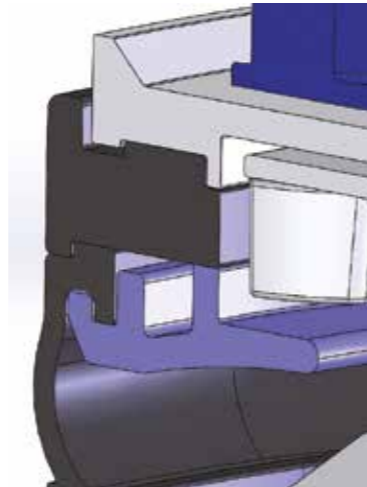




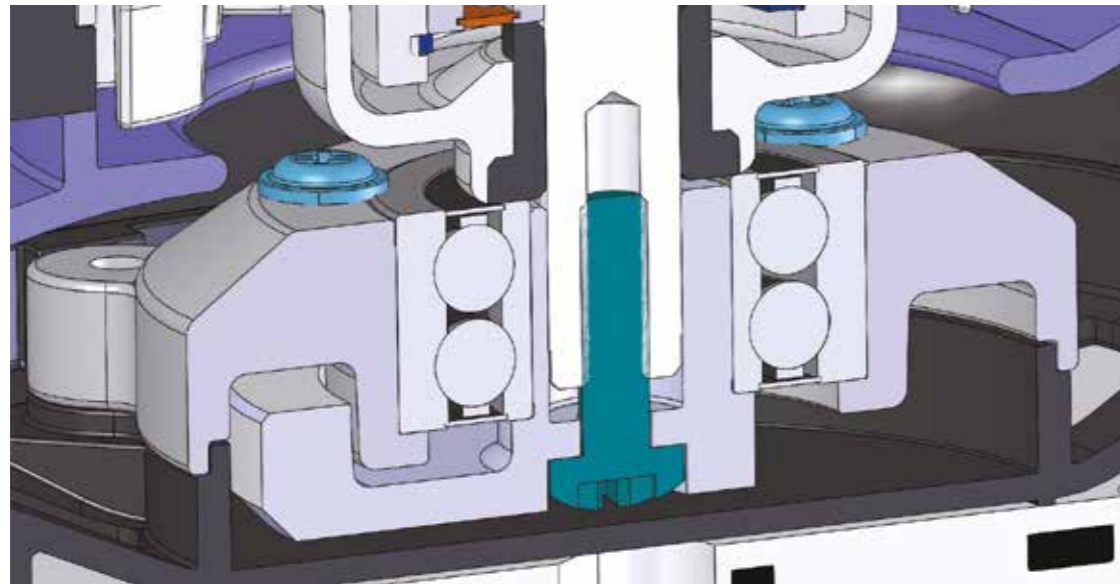
TECHNICAL SPECIFICATIONS



Self generated dust extraction



Rubber connection



Double row ball bearing

		LE 71T	LE 71TE	LE 71TC	LS 71T	LS 71TE	LR 71T	LR 71TE	LC 71T
Ø orbit	mm	2	2	2	2	2	2	2	2
Pad size	mm	80x130	80x130	80x130	Delta	Delta	Ø 125	Ø 125	80x200
Pad Holes		8+4	8+4	8+4	9+3	9+3	8+8+1	8+8+1	8+4
Power	W	200	200	200	200	200	200	200	200
R.P.M.		13000	8000-13000	13000	13000	8000-13000	8000-13000	8000-13000	13000
Weight	kg	1,15	1,15	1,15	1,15	1,15	1,15	1,15	1,15
Speed control		-	•	-	-	•	-	•	-
Velcro pad		•	•	•	•	•	•	•	•
Self generated dust extraction		•	•	•	•	•	•	•	•
Paper clip		-	-	•	-	-	-	-	-
Pad supplied		986.012	986.012	986.012	985.008	985.008	980.046	980.046	986.014

“ **GREEN TECH FILTER UNIT** **BREATHE CLEAN AIR IN** **THE WORKPLACE** ”



Designed to extract and collect the dust generated by sanding all kinds of surfaces such as wood, composite materials, metal, plaster and many other kinds of surfaces. The filter unit is suitable for all machines fitted with self generated dust extraction.

The **innovative polyester filter** is able to increase the filtration efficiency compared to the traditional woven or paper filters, while extending the life time of the filter itself the system provides clean air output to the users environment.

A **central rotor** prevents the filter from becoming obstructed and the large filtration surface enables a **higher collection capacity**. The dust extracted during sanding process is pushed to the outskirts of the filter container due to the cyclone effect and thus avoids filter obstruction.

The filter is perfectly fixed on the tool with a shaped rubber opening, ensuring long lasting performance and stable coupling to the tool.

The filter cartridge is locked with a **bayonet fitting** for general safety and to ensure the dust is contained.

TNO innovation
for life

CERTIFIED TNO FOR SAFETY CONTINUOUS USE UP TO 2 HOURS*
(IN COMBINATION WITH RUPES MINI SANDERS)

*Tests run with the tool working continuously for 2 hours





“ FLEXIBLE HOSES FREE TO MOVE, FREE TO WORK ”

The filter unit is supplied as a kit which consists of the filter unit, a filter holder and a flexible hose. This allows use in every situation and provides maximum freedom of movement.

The hose makes the filter easy to use and performs perfectly with the operators movements.

It's an example of the RUPES high value added solutions for professional sanding.



“**HQ400 FILM ABRASIVES**
ALL THAT YOU NEED
TO MAKE YOUR
OUTCOME PERFECT”

A full range of abrasives with perforated polyester film backing that ensure higher sanding efficiency and an extended life.

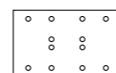
Higher quality than paper thanks to the grain homogeneity and the even surface.

Resistant to humidity, efficient even on wet surfaces with reinforced edges, it's long lasting without film damage.

Efficient on difficult to reach areas such as corners and sharp edges. No obstruction on the film due to the better vacuum system, multihole plates and central hole, removes up to 50% more dust than traditional paper abrasive film.

HQ400 FILM ABRASIVES

LE 71T/E



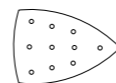
Ø80x130mm
12 HOLES



DESCRIPTION
HQ400 Film 80X130 Sheet

GRAIN
From P60 to P360

LS 71T/E



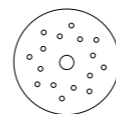
DELTA
10 HOLES



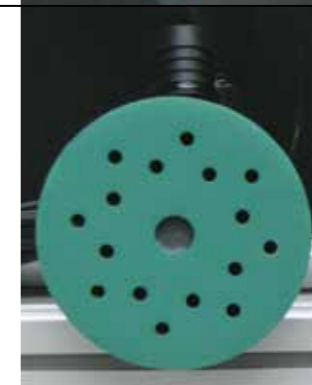
DESCRIPTION
HQ400 Film Delta Sheet

GRAIN
From P80 to P320

LR 71T/E

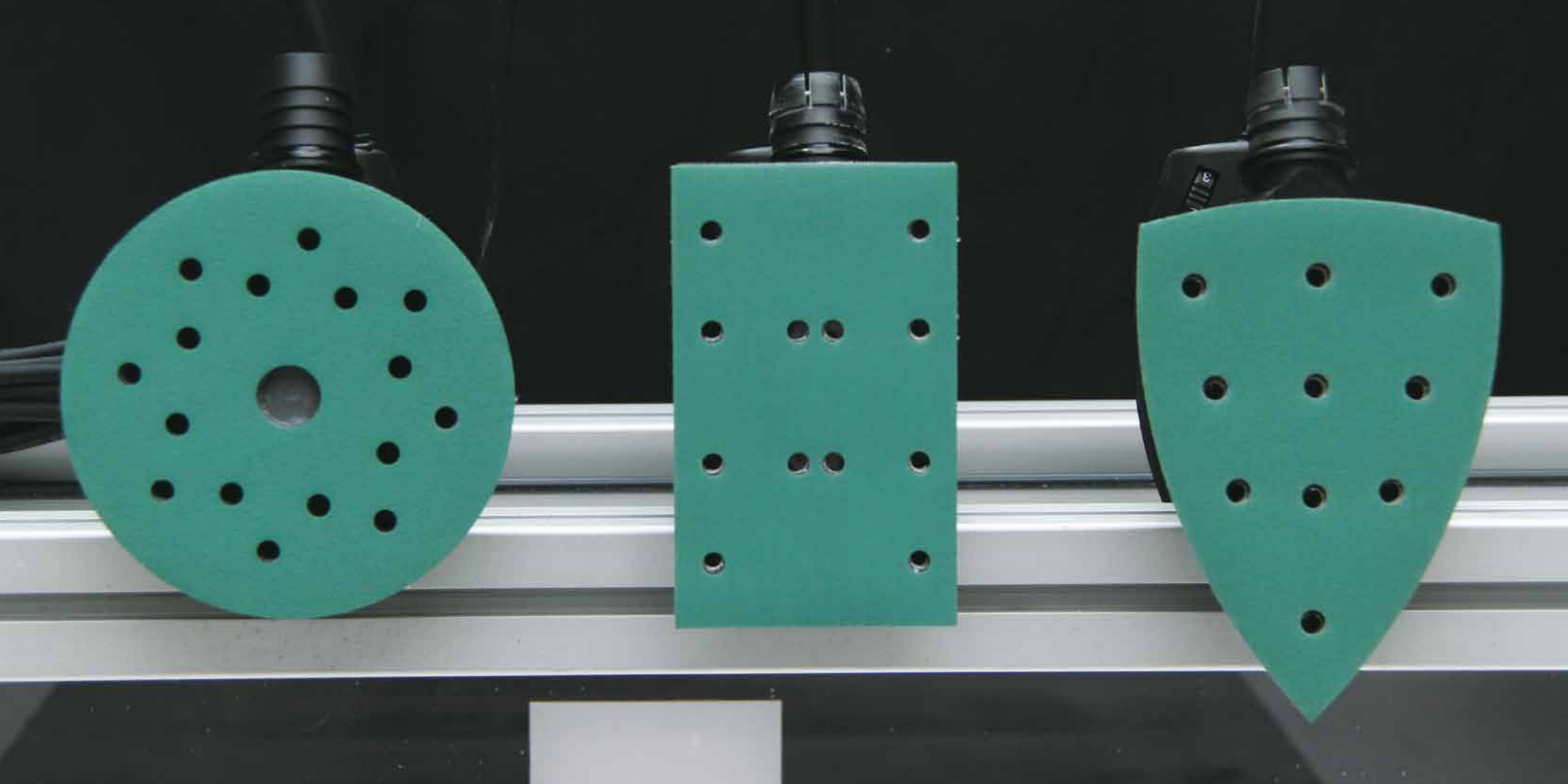


Ø125mm
17 HOLES



DESCRIPTION
HQ400 Film 150mm Disc

GRAIN
From P80 to P400



RUPES®

RUPES S.p.A

Via Marconi 3A
20080 Vermezzo (MI) - Italie

T +39 - 02.94.69.41

F +39 - 02.94.94.10.40

E info_rupes@rupes.it

W www.rupes.com

RUPES USA, Inc.

531 South Taylor Ave
Louisville, CO 80027

T +1- 877-224-5750

E info@rupesusa.com

W www.rupesusa.com

Follow us on:



cod.9.Z965/GB

Due to its constant desire to improve its products, RUPES S.p.A. reserves the right to make any technical or design modification to its products without prior notice. The manufacturer shall not be responsible for printing errors. This document voids and replaces previous ones.